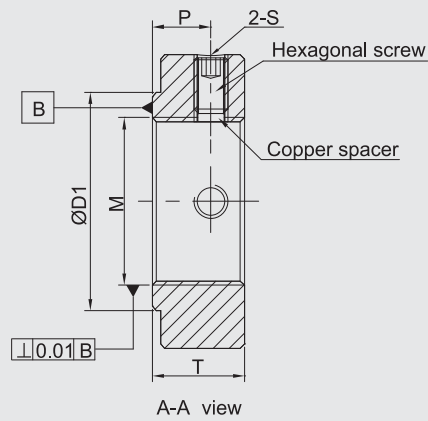
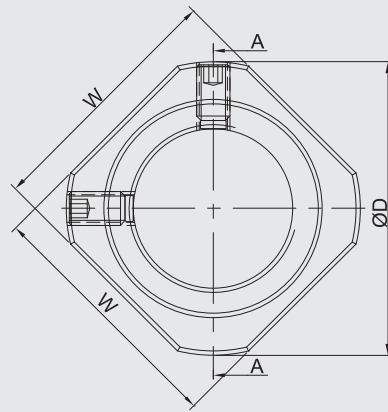


GRLN-B



GRLN-N



Specification (Material : S50C)

Unit : mm

Model No.		M	W	T	ØD	ØD1	P	S
Black Dyed	Ni Plating							
GRLN06-B	GRLN06-N	M6*P0.75	12	5	14.5	9	2.7	M3
GRLN08-B	GRLN08-N	M8*P1.0	14	6.5	17	13	4	
GRLN10-B	GRLN10-N	M10*P1.0	16	8	19	14	5.5	
GRLN12-B	GRLN12-N	M12*P1.0	19	8	22	17	5.5	
GRLN15-B	GRLN15-N	M15*P1.0	22	8	25	21	4.5	M4
GRLN17-B	GRLN17-N	M17*P1.0	24	13	30	25	9.5	
GRLN20-B	GRLN20-N	M20*P1.0	30	11	35	26	7	
GRLN25-B	GRLN25-N	M25*P1.5	35	15	43	33	10	M5
GRLN30-B	GRLN30-N	M30*P1.5	40	20	48	39	14	M6
GRLN35-B	GRLN35-N	M35*P1.5	50	21	60	46	14	M8
GRLN40-B	GRLN40-N	M40*P1.5	50	25	63	50	18	